

Service Bulletin 4812 712 40387

AUTHOR: Pasquale Lattuca

Last Update: 25/11/14

VERSION: 1.0

TITLE: LID does not stay in open position on HR (High Range)models.

SUBJECT: In some circumstances can it happen, that the door lid does not stay in open position.

REMEDIAL ACTION

Please follow below mentioned Step by Step Repair instruction.

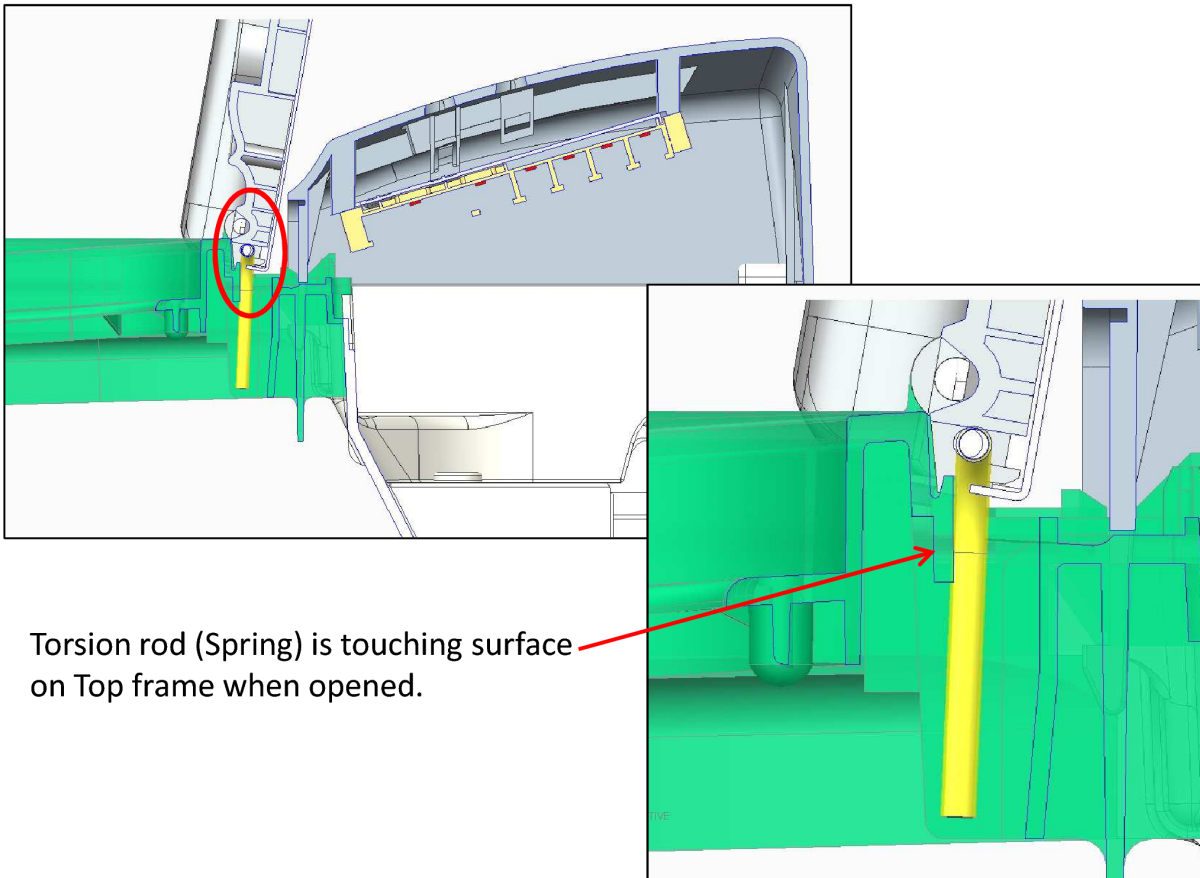
Technical Failure Code



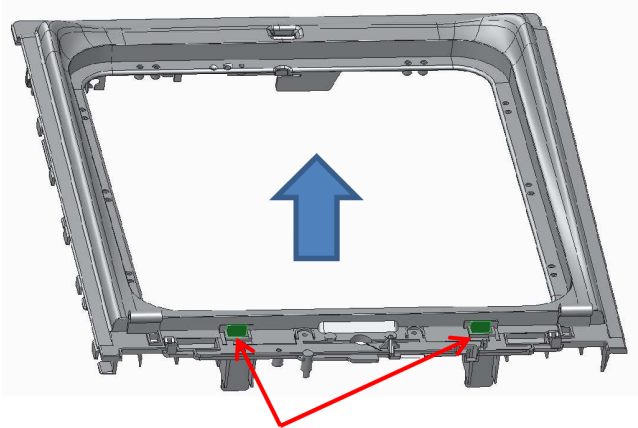
X30 1040 CX B

Top frame Boston adjustment – on Top Loader HR (High Range) “Lid doesn't stay in open position”

Root cause: Torsion rod (Spring) is touching surface on Top frame when opened, which causes to don't stay in open position!

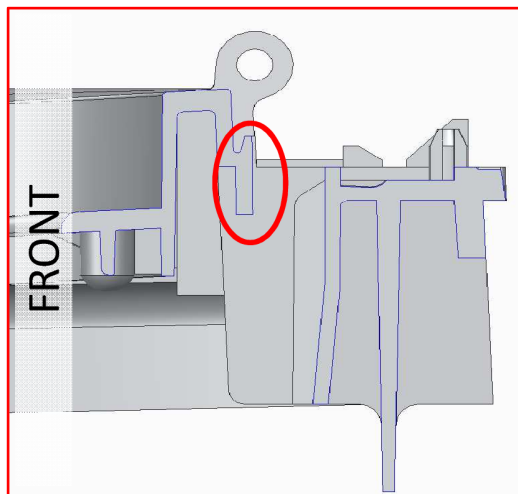


Torsion rod (Spring) is touching surface
on Top frame when opened.

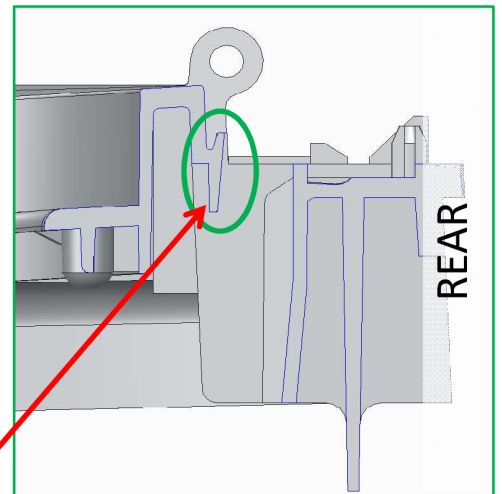


It is required to adjust (cut &/or grind) away material on pointed surfaces towards to the front (not rear!).

Current status – Top Frame



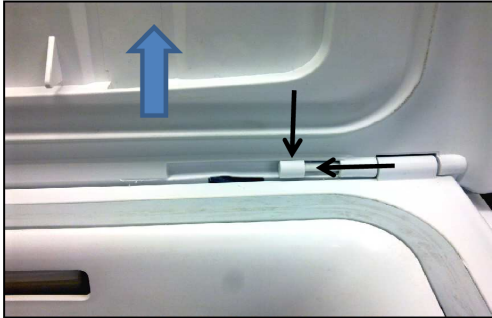
After adjustment



Grind out material in area pointed by arrow

Step by Step rework action:

Step 1.
Remove the hinge bolts & pull up the Lid.



Step 2.
Grind out 2-3 mm of the plastic by a rasp (as shown in the picture)



Be careful to don't damage the bellow with the rasp!

Current status – Top Frame



Top Frame - After adjustment



**(!) Attention: Do not grind rear surface.
This area is supporting springs to keep the door opened!!!**